

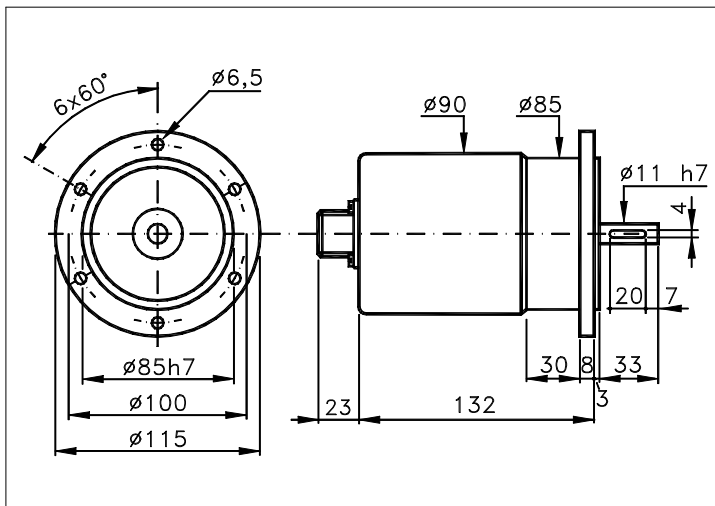
INCREMENTAL ENCODER

115K

TRANSDUCER WITH MOUNTING FLANGE B10 TYPE MADE BY TWO INTERNAL ENCODERS, THE OUTPUTS OF WHICH ARE INDEPENDENT FOR N.OF PULSES, POWER SUPPLY, ELECTRONIC AND GALVANICALLY INSULATED BETWEEN THEIRSELVES.

Increment. page:
10.115K 1/2
data sheet . II072 E00

Sized draw standard version: CK Measures without tolerance according to UNI ISO 2768-mk



TECHNICAL FEATURES AND POSSIBLE CONFIGURATIONS

- | | |
|---|---|
| - Base.....: ANODIZED ALUMINIUM (*) | - Ball bearings life....: 1,5 x 9 ¹⁰ revolutions |
| - Cover.....: ANODIZED ALUMINIUM (*) | - Impact resistance....: 50 G x 11ms |
| - Weight.....: 1500 g | - Vibration resistance..: 12 G (10 ÷ 2000 Hz) |
| - Shaft.....: Ø 11 STAINLESS STEEL (*) | - Power supply.....: 5÷30V (see page 2) |
| - Max.rad/axial load.: 15 kg | - Operating temperature: 0 ÷ 70 °C (*) |
| - IP output side.(°): see 'CONNECTION' of page 2 | - Storage temperature...: -30 ÷ 85 °C (*) |
| - IP shaft side.(°):> std. 65 sealed 66 low torq. - | - N° of pulses/rev.....: 1÷10000 + 1÷2540 |
| opt. type (page 2):> standard Z | - Max frequency.....: 100 kHz (300 option) |
| - Contin. max RPM(**):> 6000 3000 - | - Max consumptions mA.: std 120 line driver 180 (*) |
| - Starting torque gcm> 30 50 - | - Light source.....: LED with >= 100000 h life |

(°) IP according to CEI EN 60529, EN 60529, IEC 529

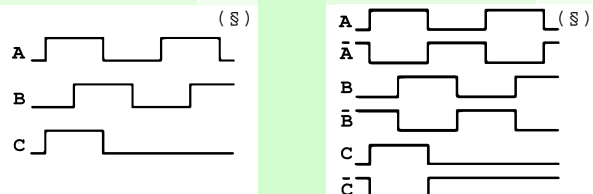
(*) custom options

(**) intermittent max RPM + 30% of continuous max RPM

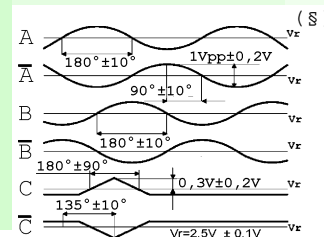
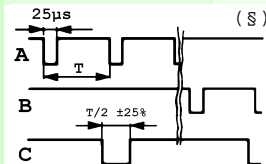
ELECTRONICS

CODE	DESCRIPTION	mA	CODE	DESCRIPTION	mA	CODE	DESCRIPTION	mA	CODE	DESCRIPTION	mA
	STANDARD NPN	10	N	DRIVER 26LS31	30	D	DISCRIMINAT.	70	Y	SINUSOID. 1Vpp	10
K	NPN OPEN COLL	10	T	TTL 7404	10						
Q	NPN	70	C	DRIVER 88C30	20						
R	NPN OPEN COLL	70	L	2x PUSH-P.PRO	70						
P	PNP	70	M	2x PUSH-PULL	70						
U	PNP OPEN COLL	70									
B	PUSH-PULL PRO	70									
H	PUSH-PULL	70									

(§) Clock-wise output rotation (see shaft).



Tolerance between phases ± 25°, symmetry ± 15°



ELCIS s.r.l. Via Rosa Luxembourg 12/14 10093 COLLEGNO (TO) ITALY
Phone: +39 011 715577/78 a.r.
MAIL: ELCIS s.r.l. P.O.Box 90 10093 COLLEGNO (TO) ITALY

* <http://www.elcis.com>
* e-mail: info@elcis.com
* Fax: +39 011 712613

POSSIBLE OPTIONS				POSSIBLE CONNECTIONS								
CODE	DESCRIPTION	CODE	DESCRIPTION	CABLE				OUTPUT:				
L	Low temperature	K	Invert. phase A,B,Zero.	CV	CC			AX RAD				
Y	Unbreakable disk	J	Zero logic combination	CONNECTOR				OUTPUT:				
Z	Sealed ball bearing	M	Impregnated electronic	CK	LM	ML	MM	LL	HH	SK	SLM	AX RAD
H	Different shaft Ø	A	High temperature	SML	SMM	SLL						
S	160 KHz frequency	P	Compressed air attack	CABLE END CONNECTOR				OUTPUT:				
W	300 KHz frequency	Q	Oil seal	VK	VLM	VML	VMM	VLL	VHH	TK	TLM	AX RAD
X	Custom options	G	Tropicalization	TML	TMM	TLL	VNN					
				TERMINAL BOX				OUTPUT:				

ORDERING INFORMATION

<p>() STANDARD NPN (K) NPN OPEN COLL (Q) NPN (R) NPN OPEN COLL (P) PNP (U) PNP OPEN COLL (B) PUSH-PULL PRO (H) PUSH-PULL (N) DRIVER 26LS31 (T) TTL 7404 (C) DRIVER 88C30 (L) 2x PUSH-P.PRO (M) 2x PUSH-PULL (D) DISCRIMINAT. (Y) SINUSOID.1Vpp (X) CUSTOM OPTION ()</p>	<p style="text-align: center;">CABLE IP65</p> <p style="text-align: center;">I Enc.+II Enc.</p> <p>(CV) Sole cable (CC) CV + CV ()</p>	<p style="text-align: center;">CONNECTOR</p> <p style="text-align: center;">I Enc.+II Enc.</p> <p>(CK) Sole conn. IP65 (LM) CL + CM IP65 (ML) CM + CL IP65 (MM) CM + CM IP65 (LL) CL + CL IP65 (HH) CH + CH IP67 (SK) Sole conn. IP66 (SLM) SL + SM IP66 (SML) SM + SL IP66 (SMM) SM + SM IP66 (SLL) SL + SL IP66 () () ()</p>	<p style="text-align: center;">CABLE END CONNECTOR IP65 encoder output</p> <p style="text-align: center;">I Enc.+II Enc.</p> <p>(VK) Sole connect. (VLM) VL + VM (VML) VM + VL (VMM) VM + VM (VLL) VL + VL (VHH) VH + VH (TK) Sole connect. (TLM) TL + TM (TML) TM + TL (TMM) TM + TM (TLL) TL + TL (VNN) VN + VN</p>	<p style="text-align: center;">TERMINAL BOX IP00</p> <p>()</p>	<p style="text-align: center;">POSSIBLE SHAFT Ø</p> <p>(n) Ø n upon requ.</p>	
<p>OPTIONS MODEL</p> <p style="text-align: center; border: 1px solid black; padding: 5px;">115K</p>	<p>PULSES/REVOL. (1)</p> <p style="text-align: center;">I /II Encoder</p> <p style="text-align: center; border: 1px solid black; padding: 5px;">1000 / 500</p>	<p>POWER SUPPLY</p> <p style="text-align: center;">I /II Encoder</p> <p style="text-align: center; border: 1px solid black; padding: 5px;">5 / 82</p> <p style="text-align: center;">(Vcc)</p>	<p>VERSION (2)</p> <p style="text-align: center; border: 1px solid black; padding: 5px;">3</p>	<p>ELECTR. (2)</p> <p style="text-align: center;">I /II Encoder</p> <p style="text-align: center; border: 1px solid black; padding: 5px;">N / B</p>	<p>CONNECTION (3)</p> <p style="text-align: center; border: 1px solid black; padding: 5px;">CK</p>	<p>OUTPUT</p> <p style="text-align: center; border: 1px solid black; padding: 5px;">()</p>
<p>(L) () (Y) (K) (Z) (J) () (M) (H) (A) () (P) () (Q) (S) (G) (W) () () () () () (X) ()</p>	<p>1+10000 + 1+2540</p>	<p>(5) 5 V ±5% (82) 8÷24 V (18) 18÷28 V (81) 8÷15 V (12) 12 V ±5% (24) 24 V ±5% (23) 12÷30/12 V (45) 8÷24/5 V (10) 10÷30 V (85) 18÷28/5 V (53) 15÷30/15 V ()</p>	<p>(1) Monodir. + Monodir. (2) Bidir. + Monodir. (3) Bidir.+zero + Monodir. (4) Monodir. + Bidir. (5) Bidir. + Bidir. (6) Bidir.+zero + Bidir. (7) Monodir. + Bidir.+zero (8) Bidir. + Bidir.+zero (9) Bidir.+zero + Bidir.+zero (0) Speciale + Speciale</p>	<p>I Encoder + II Encoder</p> <p>AX () RAD (R)</p>		

Product manufactured according to ISO EN 9001, supplied with CHECKING and CONFORMITY declaration with CE mark and with TWO (2) YEARS WARRANTY starting from delivery date.

ELCIS company has the right to make any changing without previous notice. data sheet II072 X00 page: 10.115K 2/2

	<p>ELCIS s.r.l. Via Rosa Luxembourg 12/14 10093 COLLEGNO (TO) ITALY Phone: +39 011 715577/78 a.r. MAIL: ELCIS s.r.l. P.O.Box 90 10093 COLLEGNO (TO) ITALY</p>	<p>* http://www.elcis.com * e-mail: info@elcis.com * Fax: +39 011 712613</p>
--	---	---