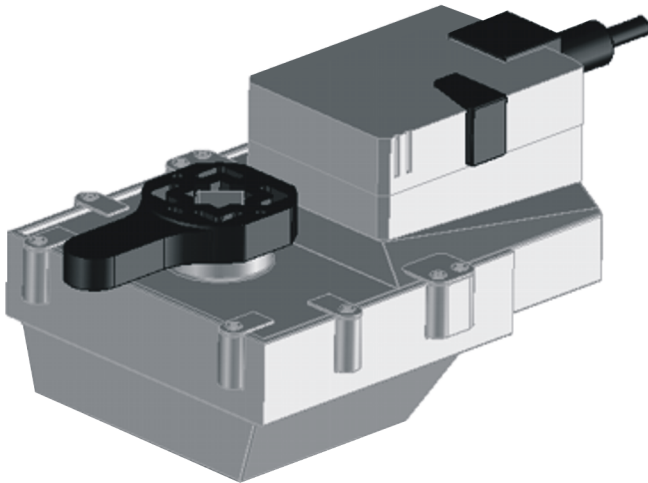


M6422L1003

ROTARY ACTUATOR FOR BUTTERFLY VALVE V5421B1090

PRODUCT DATA



FEATURES

- Orientation of actuator to V5421B1090 Butterfly Valve can be re-adjusted in steps of 90°
- Protected against overloading
- Requires no limit switches (actuator stops automatically at limit)

SPECIFICATIONS

Nominal voltage 100 ... 240 Vac, 50/60 Hz
 Operating range 85 ... 265 V

Power consumption
 At nominal torque of 40 Nm 4 W / 7 VA
 At rest 2 W

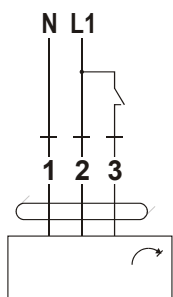
Parallel operation possible (note power consumption data)
 Torque (nominal) min. 40 Nm (at nominal voltage)
 Manual adjustment pushbutton gear declutch (temporary/permanent)
 Run time 150 s / 90° angle
 Noise level max. 45 dB (A)
 Position indication mechanical, attachable
 Protection Class II
 Protection Standard IP54 (regardless of orientation)

EMC
 Low-Voltage Directive
 Action CE as per EEC/89/336
 CE as per EEC/73/23
 type 1 (as per EN 60730-1)
 Rated surge voltage 4 kV (as per EN 60730-1)
 Pollution degree 3 (as per EN 60730-1)
 Ambient temperature 0 ... +50 °C
 Temperature of medium 0 ... 90 °C in valve
 Storage temperature -40 ... +80 °C
 Ambient humidity 95% r.H., non-condensing
 Weight approx. 1.85 kg
 Dimensions see "Dimensions," pg. 2
 Accessories auxiliary switch AS2, 250 V, 3 (0.5) A

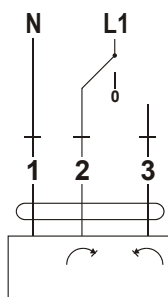
GENERAL

The M6422L1003 Rotary Actuator is a maintenance-free device designed for use in combination with only the V5421B1090 Butterfly Valve. It is suitable for applications in stationary heating, air conditioning, and ventilation systems. It is not intended other applications, especially not in aircraft.

ON/OFF CONTROL



3-POINT CONTROL



| ROTARY DRIVE | ROTARY VALVE |
|--------------|--------------|
| | A - AB = 0% |

Fig. 1. Wiring

DIMENSIONS

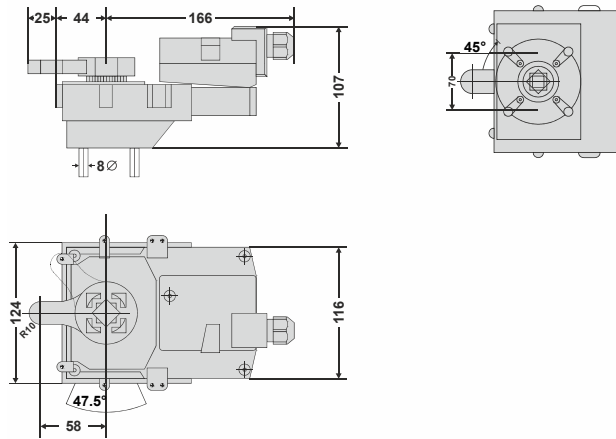


Fig. 2. Dimensions of M6422L1003 (in mm)

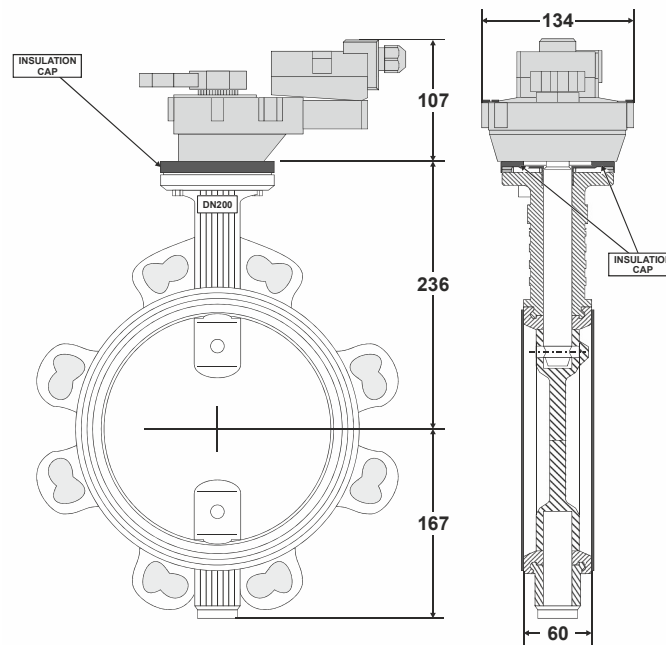


Fig. 3. Dimensions of M6422L1003 in combination with V5421B1090 Butterfly Valve (in mm)